

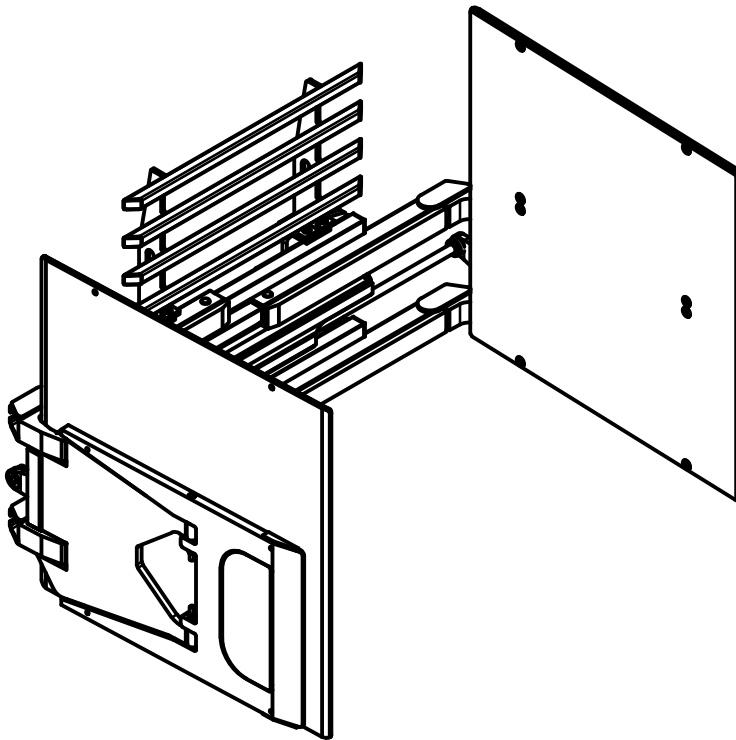
# LORON

EXCELLENCE IN ACTION

## OPERATION MANUAL

### CARTON CLAMP

### CONTENTS:



#### PAGE

1	Introduction Major Carton Clamp Parts
2	Daily Inspection Weekly Service Load Handling Techniques
3 - 4	Picking Up Product
5 - 6	Depositing Product
7 - 8	Loading / Unloading Trailers / Boxcars
9	Safety Precautions
10	Notes

---

---

# INTRODUCTION

---

---

The Loron Carton Clamp is designed to provide many hours of trouble-free, efficient service. Proper operating technique and common sense can help prevent damage to the product and to the attachment, as well as contribute to a safe working environment.

The purpose of this Operation Manual is to suggest ways you, as the operator, can learn the techniques and tricks professional operators use every day. Study this manual and familiarize yourself with the attachment. Learn to recognize normal operation and indicators of problems before they cause downtime. Take a few moments to look the attachment over to spot areas that may become a problem later.

This manual will show you what to look and provides proper operating techniques. If you have any questions about procedures in this manual or about the attachment be sure to ask your supervisor or an experienced, trained operator before proceeding.

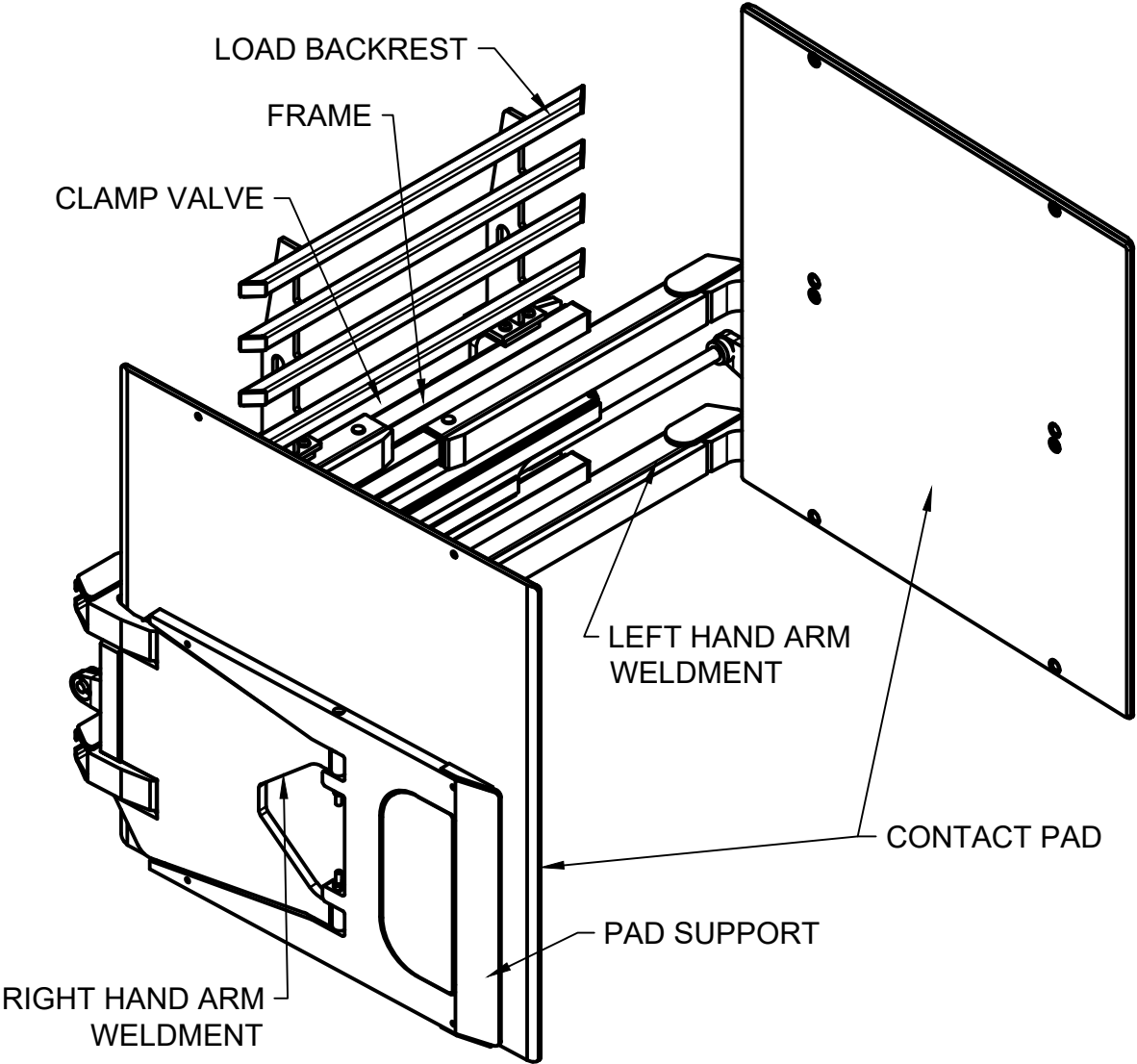
---

---

## MAJOR CARTON CLAMP PARTS

---

---



---

---

## DAILY INSPECTION

---

---

Be sure the truck is shut off prior to inspection.

1. Check level of hydraulic oil in the lift truck's hydraulic reservoir.
2. Check for presence of hydraulic oil on attachment indicating possible leaks.
3. Visually inspect mounting points to be sure the attachment is securely mounted to the lift truck.
4. Inspect pads for damage.
5. Actuate attachment functions. Report any unusual behavior to your supervisor.

---

---

## WEEKLY SERVICE

---

---

Be sure the truck is shut off prior to inspection.

1. Check all hydraulic fittings, hoses, cylinders and valve for leakage. Repair or replace them as required.
2. Check hoses for pinch points and signs of wear. Contact supervisor if hoses are badly worn, have cuts, bulges, or are fraying.
3. All bolts should be checked and tightened as necessary.
4. Inspect all weld joints for signs of cracking.

---

---

## LOAD HANDLING TECHNIQUES

---

---

In the following pages you will find a suggested method for basic load handling. Experienced operators often develop their own techniques as they gain confidence in the equipment and their abilities.

The examples show how to handle a load using a Carton Clamp. In order to pick up a load with the carton clamp, firmly clamp on a load.

---

---

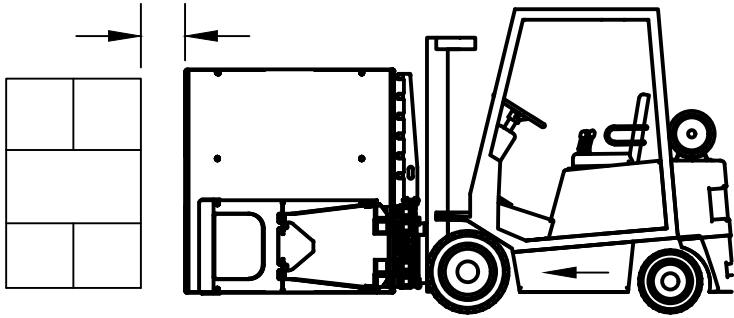
# PICKING UP PRODUCT - 1

---

---

## Step 1:

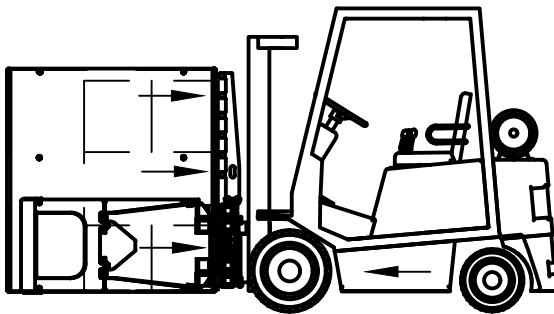
- 1-1) Stop in front of the load.
- 1-2) Tilt mast so clamp is parallel with ground.



- 1-3) Align the bottom of the attachment to bottom of the load.

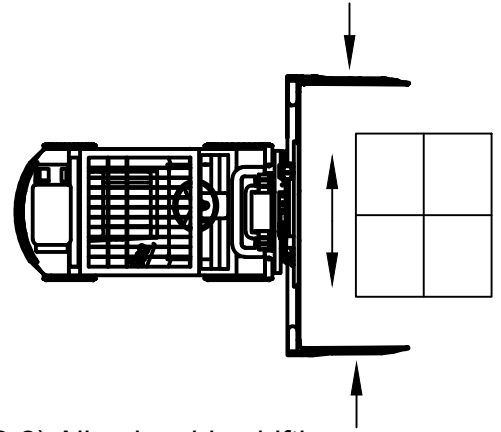
## Step 3:

- 3-1) Move forward until the load is 1/2" from the backrest.



## Step 2:

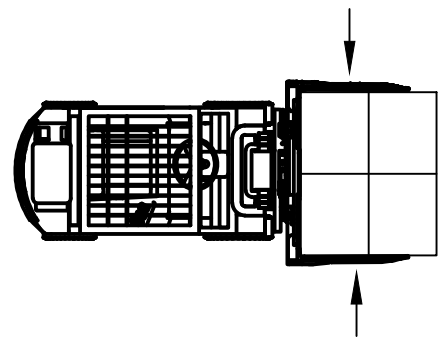
- 2-1) Square the truck to load and open the arms for clearance.



- 2-2) Align by side shifting.

## Step 4:

- 4-1) Clamp firmly on the load.



---

---

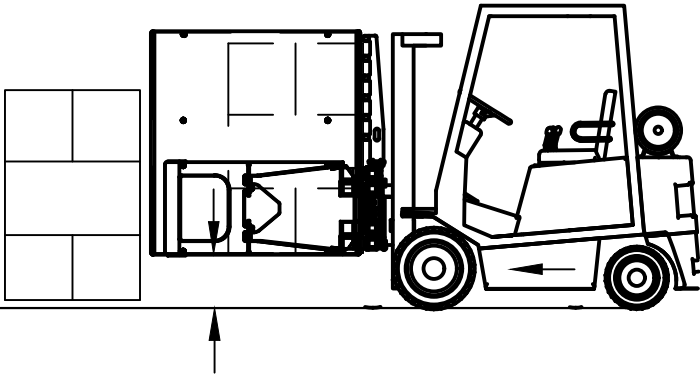
## PICKING UP PRODUCT - 2

---

---

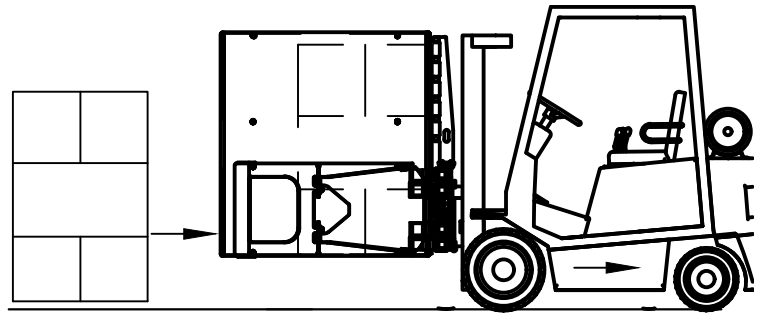
### Step 5:

5-1) Raise load for clearance of stack or floor.  
(Check for ceiling clearance).



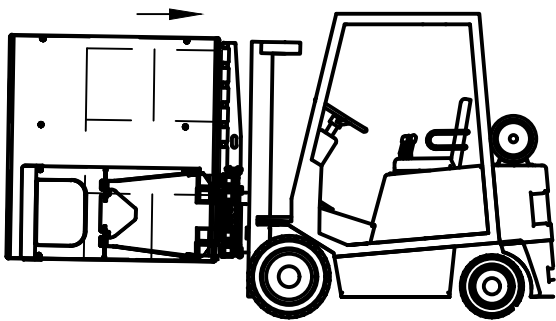
### Step 6:

6-1) Drive back slowly from other boxes or the stack.



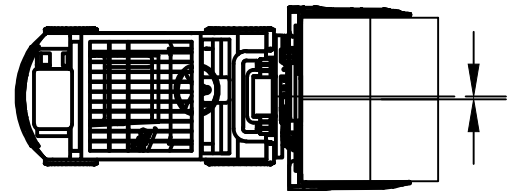
### Step 7:

7-1) Lower the load from stack.  
7-2) Tilt load back for transport.



### Step 8:

8-1) Center the load to truck.



---

---

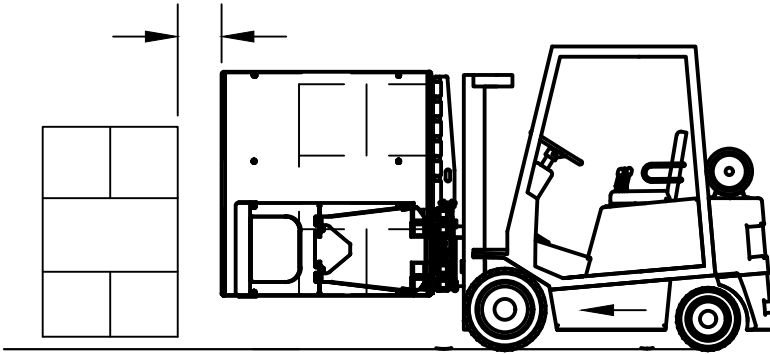
# DEPOSITING PRODUCT - 1

---

---

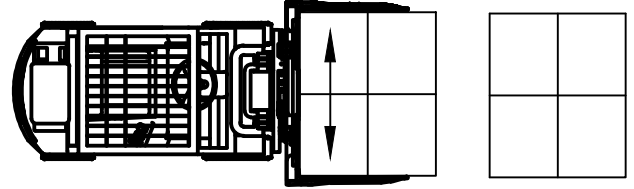
## Step 1:

- 1-1) Stop in front of the load.
- 1-2) Tilt mast so clamp is parallel with ground.



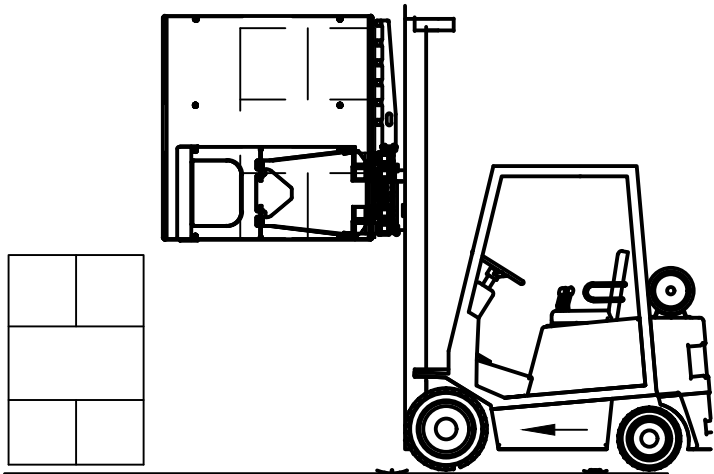
## Step 2:

- 2-1) Square the truck to the stack.
- 2-2) Center the load to the stacks.



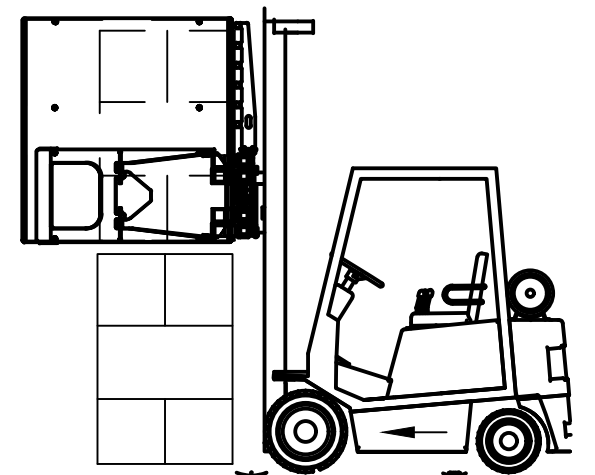
## Step 3:

- 3-1) Raise load for clearance of stack.  
(Check for ceiling clearance).



## Step 4:

- 4-1) Drive the truck slowly forward.
- 4-2) Square the load to the stack and lower the load slowly.



---

---

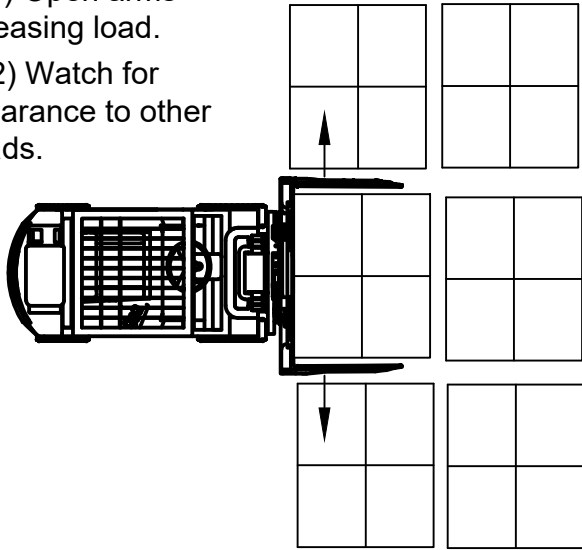
# DEPOSITING PRODUCT - 2

---

---

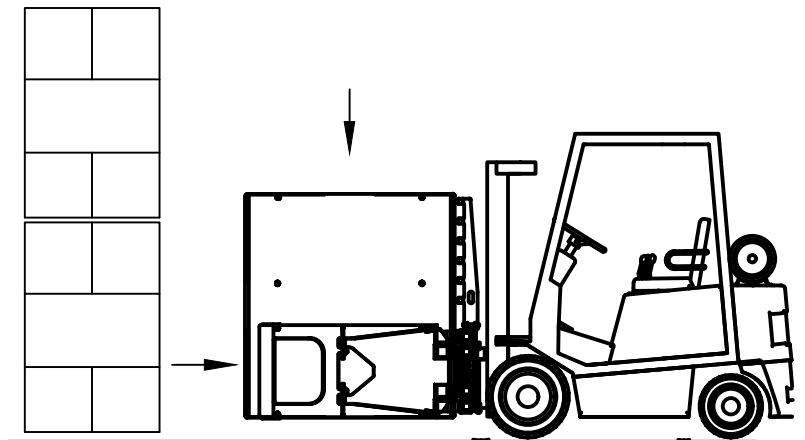
## Step 5:

- 5-1) Open arms releasing load.
- 5-2) Watch for clearance to other loads.



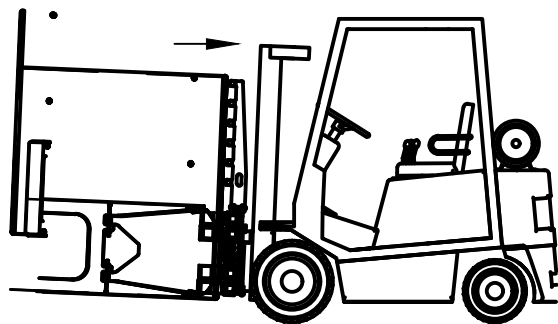
## Step 6:

- 6-1) Drive back slowly from the stack.
- 6-2) Lower the attachment.



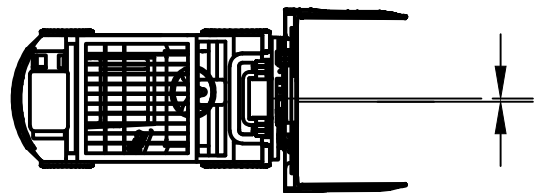
## Step 7:

- 7-1) Tilt mast back for transport.



## Step 8:

- 8-1) Center the attachment to the truck.



---

---

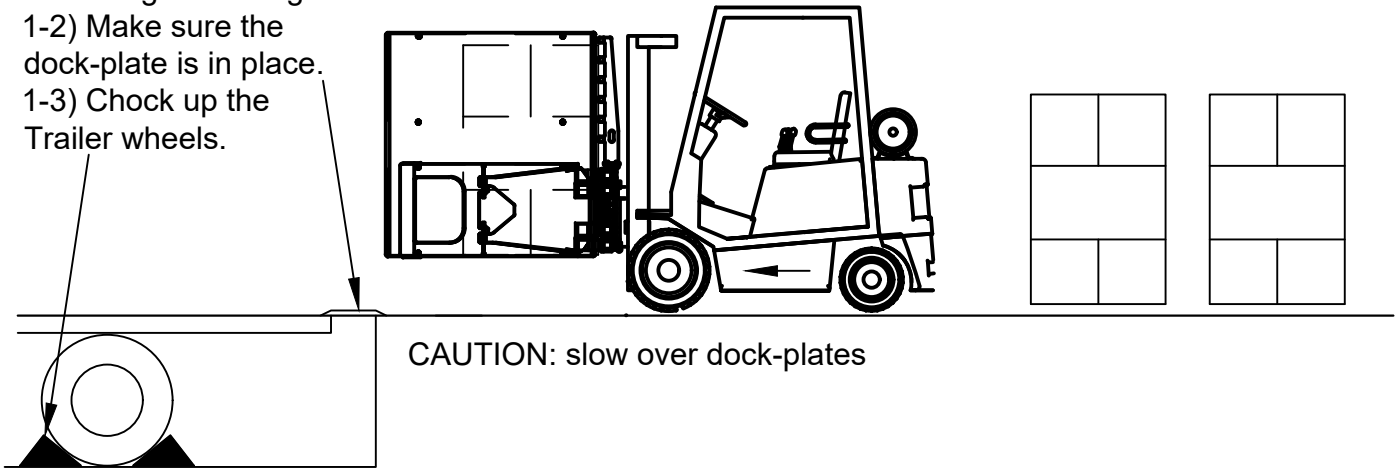
# LOADING / UNLOADING TRAILERS / BOXCARS - 1

---

---

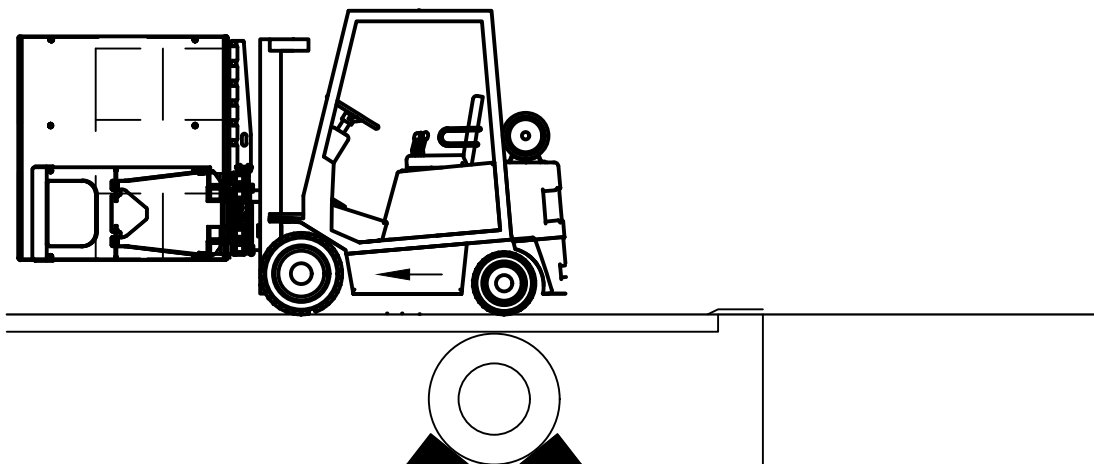
## Step 1:

- 1-1) Inspect trailer for damage before unloading or loading.
- 1-2) Make sure the dock-plate is in place.
- 1-3) Chock up the Trailer wheels.



## Step 2:

- 2-1) Watch for clearance when entering or exiting with a load.
- 2-2) Stay centered in the trailer and brake gently.





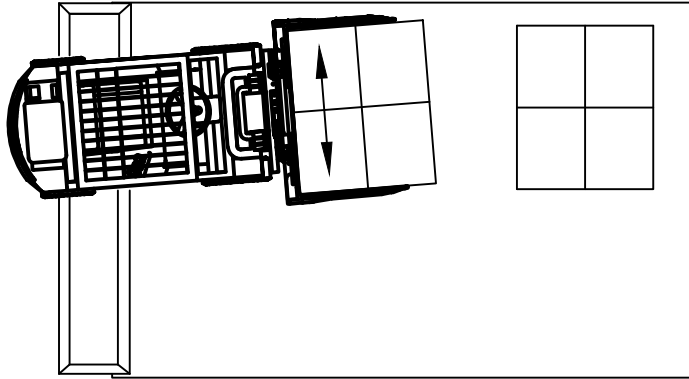
---

# LOADING / UNLOADING TRAILERS / BOXCARS - 2

---

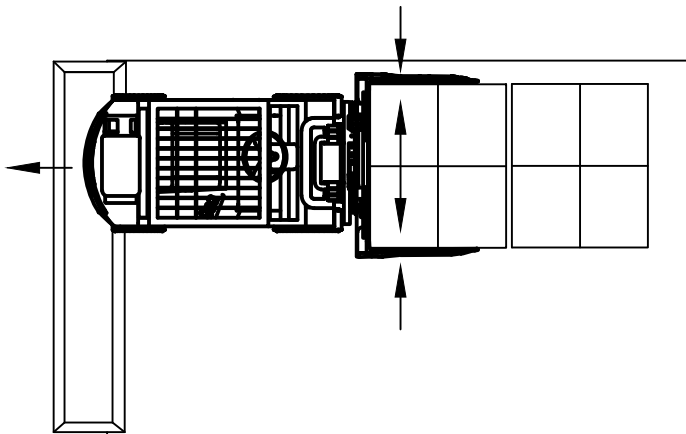
## Step 3:

- 3-1) Position the arm between the load and trailer wall.
- 3-2) Use side shift to move the load away from the wall



## Step 4:

- 4-1) Clamp firmly on the load.
- 4-2) Back up slowly.



---

---

# SAFETY PRECAUTIONS

---

---

Please follow the safety precautions below to help prevent personal injury or damage:

Prior to operating the lift truck and attachment you must receive proper training and get certification as an operator.

Know the capacity of the lift truck and the attachment. Handle loads weighing at or less than the lowest stated maximum capacity only. Truck and attachment may have different maximum capacities.

When leaving truck, lower attachment to floor, shut off truck, place transmission in park (or put in gear for trucks with manual transmissions) and set the hand brake.

Transport loads near to the floor with mast tilted back.

Obey speed limits. Drive only in designated aisle. Obey all stop and caution signs. Sound horn at blind spots.

Back Straight down inclines. Drive straight forward up inclines.

If load obstructs view drive truck in reverse.

If load is unstable or separating, restack load prior to handling.

Always keep arms and legs within the confines of the operator's compartment.

Keep others off of and out from under the attachment at all times, whether empty or loaded.

Operate the attachment only if it is in good condition and functioning properly.

Always keep clear of moving parts while truck is turned on. Avoid pinch points.

Use the attachment only as specified in the manual or instructed by your supervisor or trainer. misuse can lead to damage to the load or attachment and may cause personal injury.

---

---

# NOTES

---

---